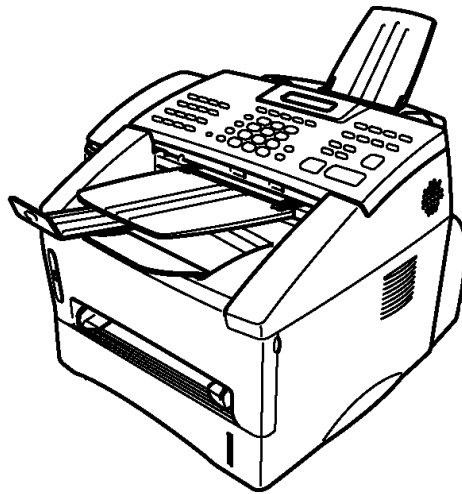


brother®

FACSIMILE EQUIPMENT PARTS REFERENCE LIST

**MODEL: FAX8350P / 8750P
MFC9650**

(For Germany / United Kingdom / France /
Norway / Belgium / Netherlands /
Switzerland / Denmark / Spain / Austria/
Italy / Sweden / Euro Generic)



© Copyright Brother 1999

All rights reserved

No part of this publication may be reproduced in any form or by any means without permission in writing from the publisher.

Specifications are subject to change without prior notice.

NOTES FOR USING THIS PARTS REFERENCE LIST

1. In the case of ordering parts, it needs mentioning the following items:

- (1) Code
- (2) Q' ty
- (3) Description

Note: No orders without Parts Code or Tool No. can be accepted.

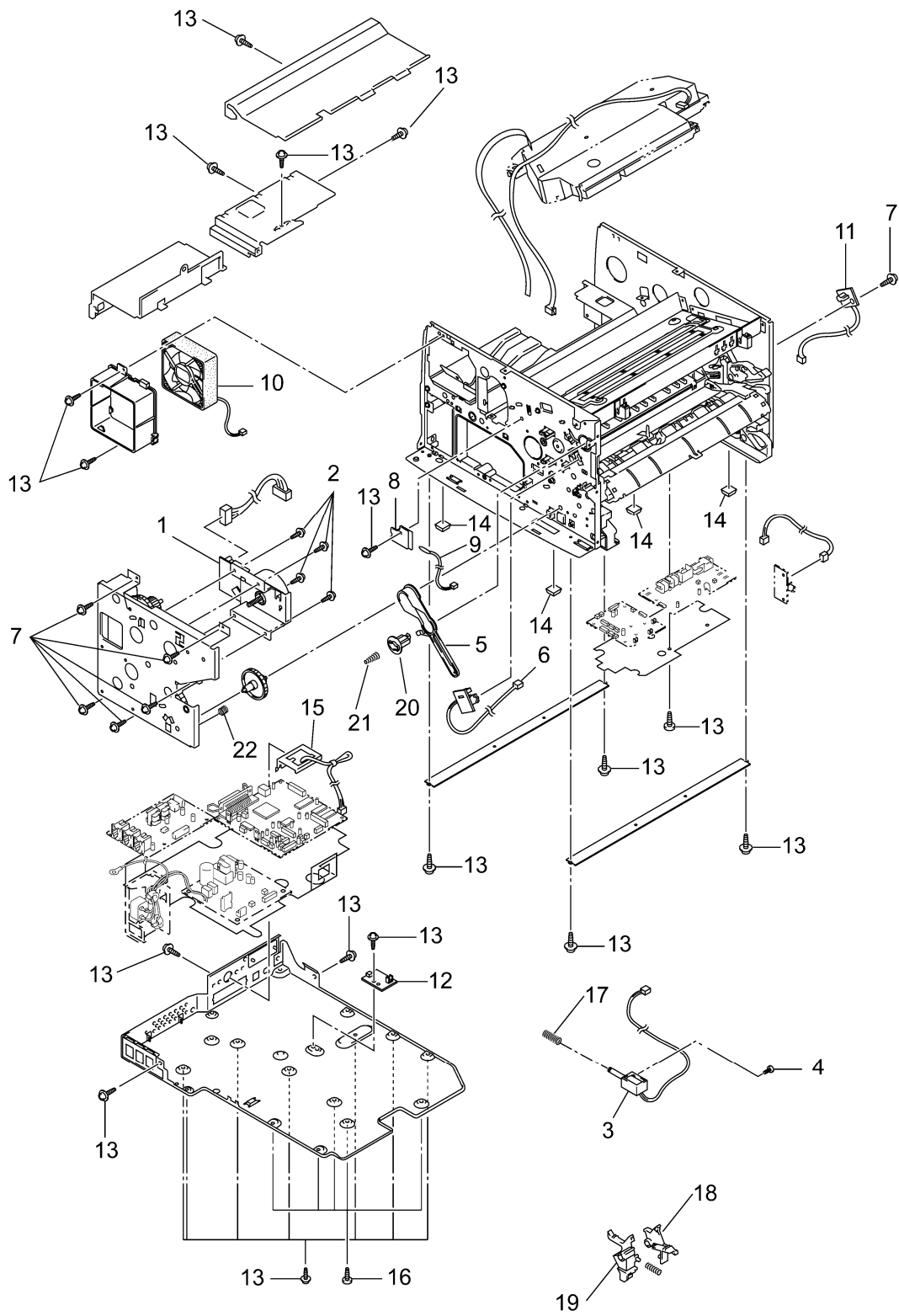
[Example]

REF.NO.	CODE	Q' TY	DESCRIPTION	REMARKS

2. Parts change will be informed by the technical information.

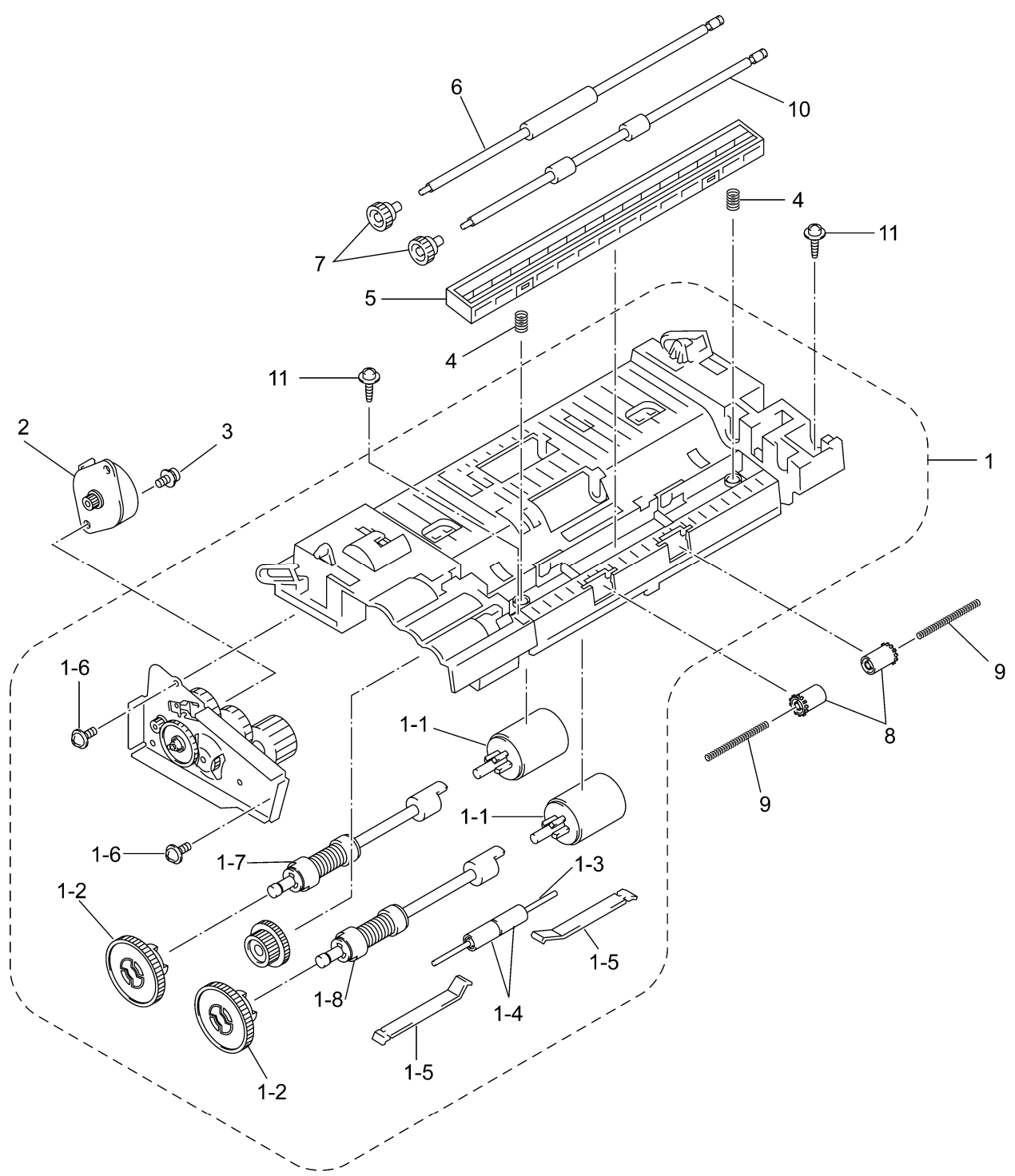
COUNTRIES

GERMANY ----- GER
UNITED KINGDOM ----- UK
FRANCE ----- FRA
NORWAY ----- NOR
BELGIUM ----- BEL
NETHERLANDS ----- NLD
SWITZERLAND ----- CHE
IRELAND ----- IRE
DENMARK ----- DEN
AUSTRIA ----- AUS
SPAIN ----- SPA
ITALY ----- ITA
SWEDEN ----- SWE
EURO GENERIC ----- GNR



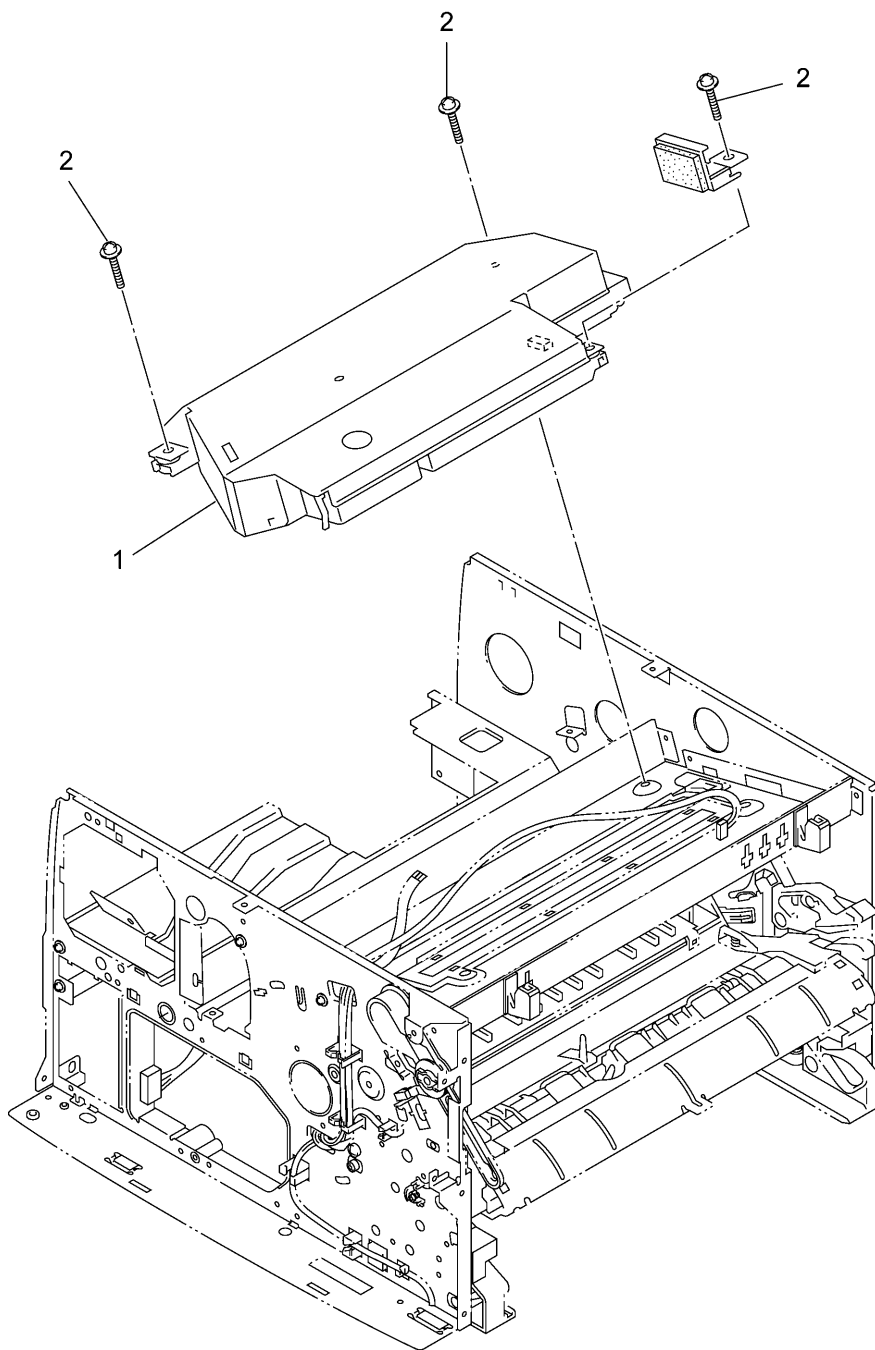
List1(MAIN FRAME)

REF.NO.	CODE	Q'TY	DESCRIPTION	REMARKS
1	UL9311001	1	MAIN MOTOR ASSY	
2	087320616	4	TAPTITE, CUP S M3X6	
3	LJ4069001	1	SOLENOID ASSY	
4	000300415	1	SCREW, BIND M3X4	
5	UL8984001	1	FRONT COVER LINK	
6	UL9099001	1	TONER SENSOR (LED) PCB	
7	087320616	6	TAPTITE, CUP S M3X6	
8	LE1166001	1	THERMISTOR FILM	
9	LE1284001	1	IN CASING TEMPERATURE THERMISTOR	
10	LJ4745001	1	FAN	
11	UL9104001	1	TONER SENSOR (RECEIVER) PCB	
12	UG6217001	1	PAPER EJECTION SENSOR PCB	
13	087320616	23	TAPTITE, CUP S M3X6	
14	LJ7403001	4	RUBBER FOOT	
15	LJ8031001	1	2ND CASSETTE RELAY PCB	
16	085411215	5	SCREW, BIND B TITE M4X12	
17	UL8970001	1	SOLENOID RELEASE SPRING	
18	UL8972001	1	P/R CLUTCH LEVER	
19	UL8971001	1	F/R CLUTCH LEVER	
20	UL8982001	1	DEVELOP JOINT	
21	UL8983001	1	JOINT SPRING	
22	UL8959001	4	FRICITION SPRING	



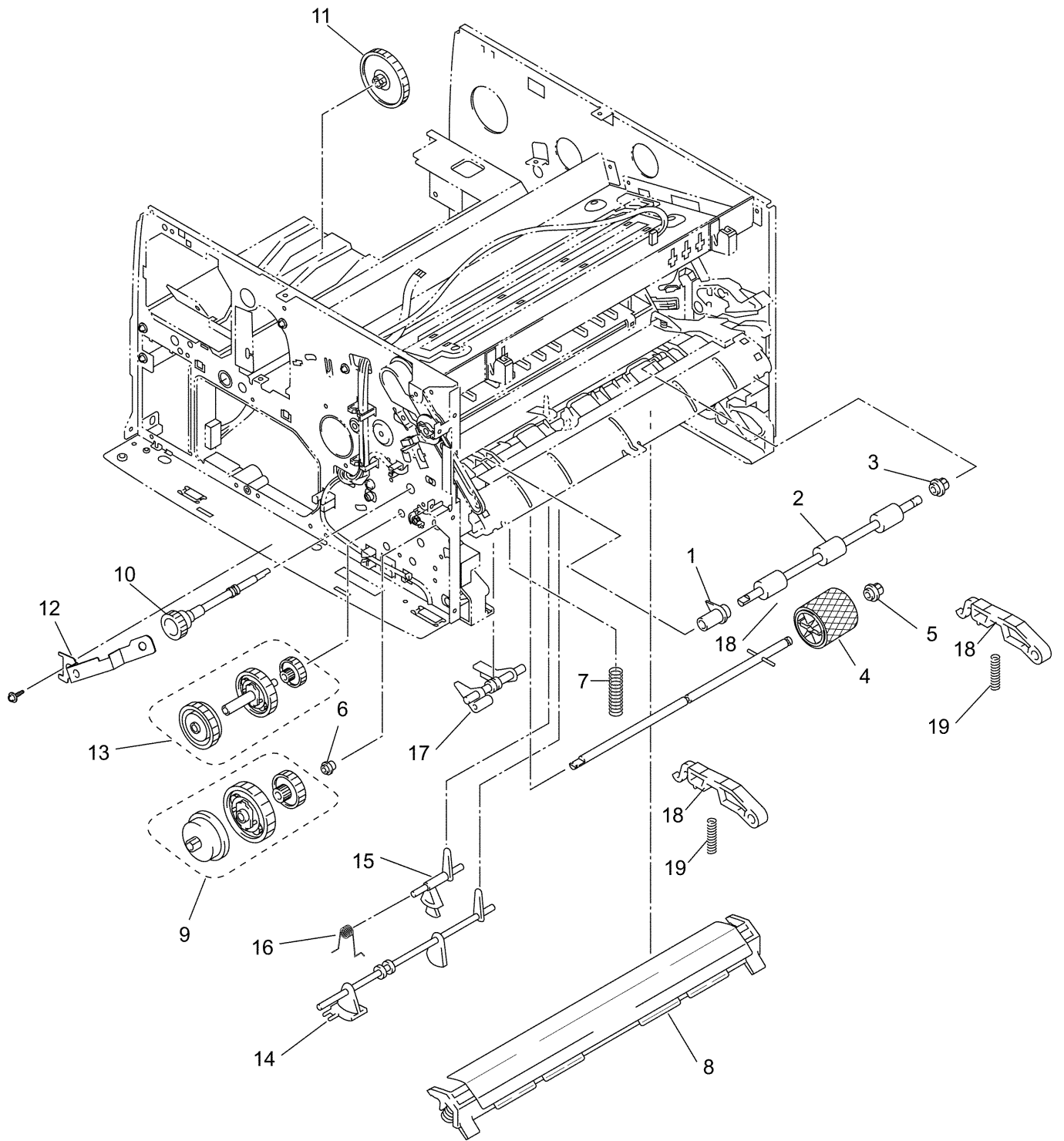
List2(DOCUMENT SCANNER)

REF.NO.	CODE	Q'TY	DESCRIPTION	REMARKS
1	LE1164001	1	SCANNER FRAME ASSY (SP)	
1-1	LE1072001	2	DOCUMENT SEPARATION ROLLER	
1-2	UL5632000	2	DOCUMENT SEPARATION ROLLER GEAR	
1-3	UF4369000	1	PRESSURE ROLLER SHAFT	
1-4	UF9009001	2	PRESSER ROLLER	
1-5	UU7032001	2	PRESSER ROLLER LEAF SPRING	
1-6	087310815	2	TAPTITE, CUP B M3X8	
1-7	UU2006001	1	DOCUMENT TAKE-IN ROLLER SHAFT ASSY, WHITE	
1-8	UU2008001	1	SEPARATION ROLLER SHAFT ASSY, BLACK	
2	UU2027001	1	SCANNER MOTOR	
3	0A4300605	1	SCREW, PAN (WASHER) M3X6DA	
4	UU2028001	2	CIS SPRING	
5	LE1160001	1	CIS UNIT (SP)	
6	UU2029001	1	DOCUMENT FEED ROLLER	
7	LE1196001	2	DOCUMENT FEED ROLLER ROLLER GEAR	
8	UL6244002	2	PINCH ROLLER	
9	UU2009001	2	PINCH ROLLER SPRING	
10	UU2031001	1	DOCUMENT EJECTION ROLLER	
11	087311016	2	TAPTITE, CUP B M3X10	



List3(LASER UNIT)

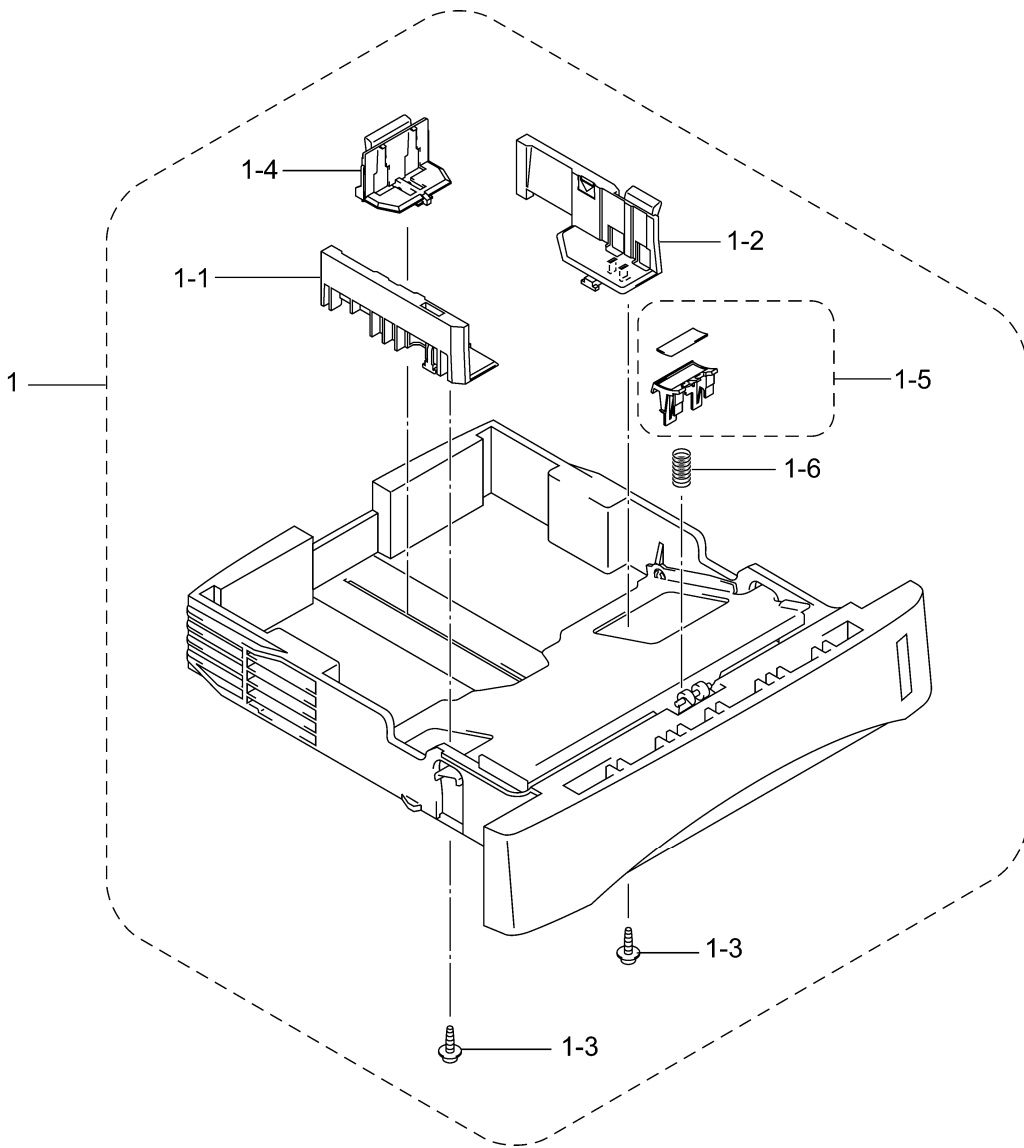
REF.No.	CODE	Q'TY	DESCRIPTION	REMARKS
1	LJ4157001	1	LASER UNIT (SP)	
2	087321615	3	TAPTITE, CUP S M3X16	



List4(PAPER TRANSPORT)

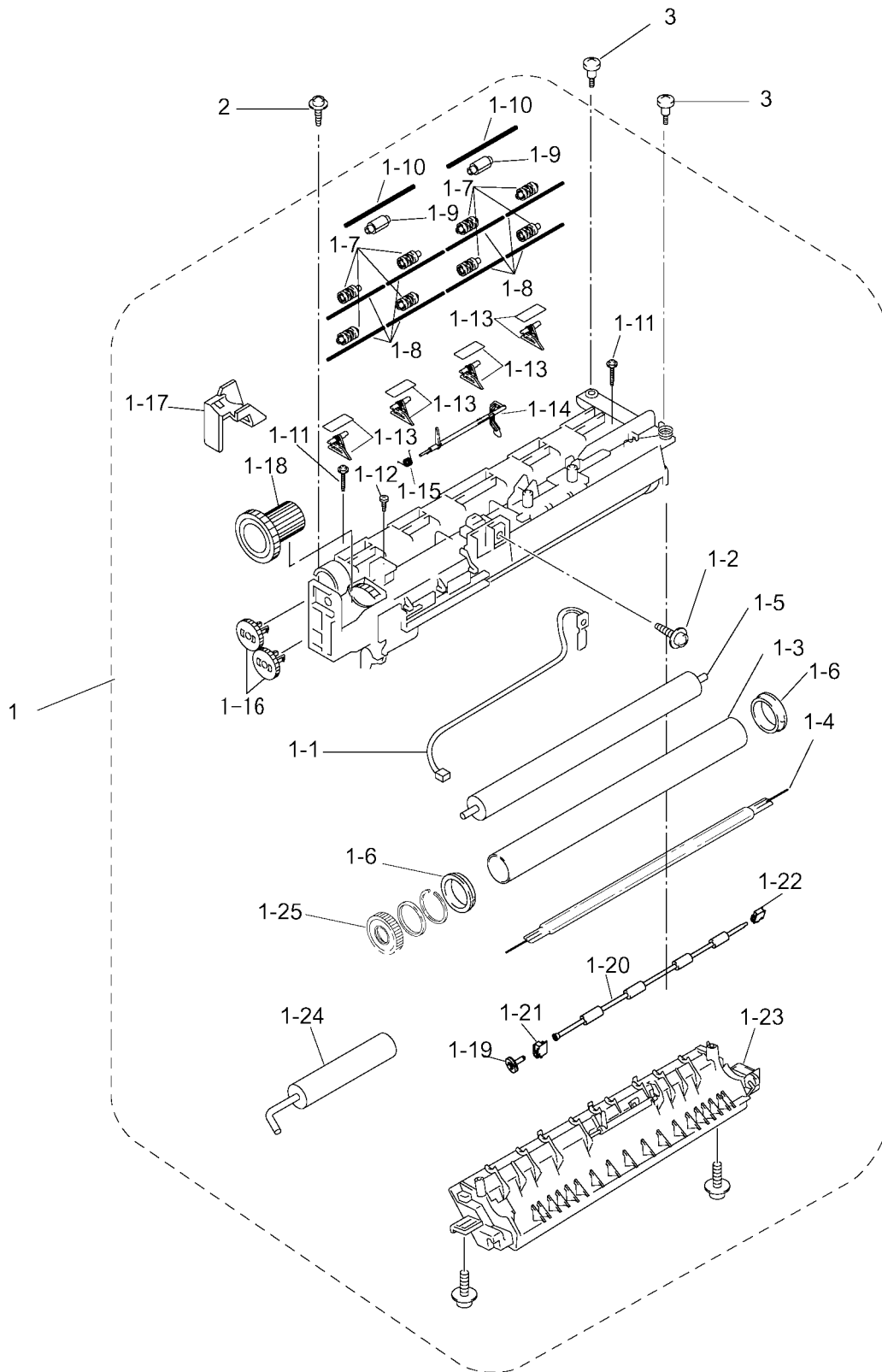
To replace part marked with an asterisk(*), you need to confirm if the PAPER CHUTE part is early type or later type. Please refer T/I No.FAX99448 for details.

REF.No.	CODE	Q'TY	DESCRIPTION	REMARKS
1	UL9059001	1	JOINT	
2	UL9060001	1	PAPER FEED ROLLER ASSY	
3	UL9062001	1	PAWLED BUSHING	
4	UL9066001	1	PAPER PICKUP ROLLER	
5	UL9062001	1	PAWLED BUSHING	
6	UL9069001	1	CONDUCTIVE BUSHING	
*7	UL9071001	1	ELECTRODE SPRING (FOR EARLY LOT)	
*7	LJ4499001	1	ELECTRODE SPRING (FOR LATER LOT)	
8	LJ4843001	1	OUTER CHUTE 1 (SP)	
9	LJ5591001	1	PLANETARY GEAR ASSY (SP)	
10	UL9070001	1	GEAR 21	
11	UL8985001	1	GEAR 59	
12	LJ5705001	1	GEAR 21 PRESSURE PLATE	
13	LJ5838001	1	FEED ROLLER PLANETARY GEAR ASSY (SP)	
14	UL9049001	1	MANUAL INSERTION SENSOR ACTUATOR	
15	UL9050001	1	REGISTRATION SENSOR ACTUATOR	
16	UL9051001	1	REGISTRATION SENSOR SPRING	
17	UU2042001	1	CASSETTE SENSOR ACTUATOR	
18	UL9053001	2	TRANSFER ARM	ADD
19	UL9052001	2	TRANSFER SPRING	ADD



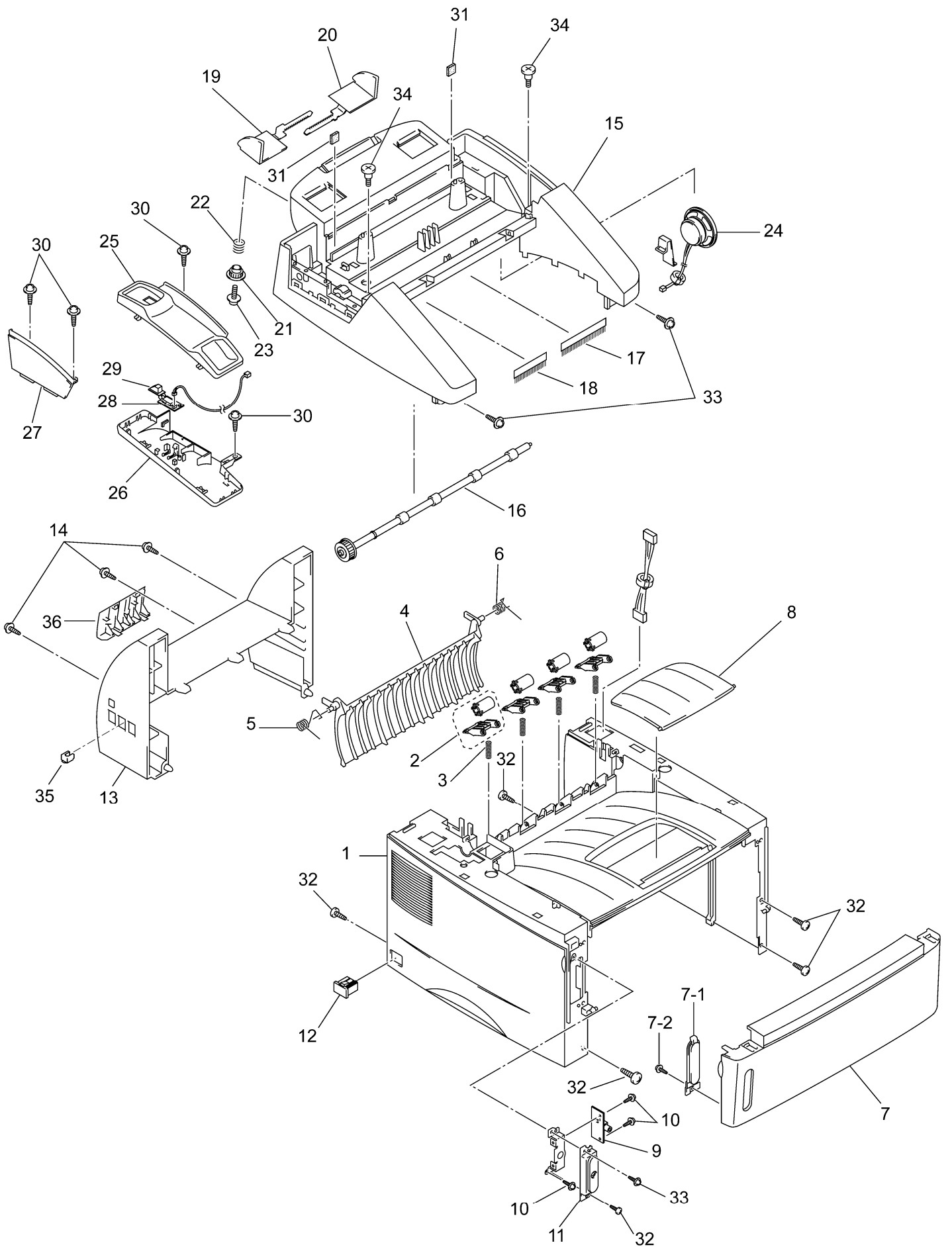
List5(PAPER TRAY)

REF.NO.	CODE	Q'TY	DESCRIPTION	REMARKS
1	LJ4181001	1	PAPER TRAY ASSY, A4 (SP)	
1-1	UL9078001	1	SIDE GUIDE L, GRAY(1496)	
1-2	UL9079001	1	SIDE GUIDE R, GRAY(1496)	
1-3	U73515001	2	SCREW, PAN CUP B M2.6X5	
1-4	UL9083001	1	PAPER REAR GUIDE, GRAY(1496)	
1-5	UL9084001	1	SEPARATION PAD SUPPORT ASSY	
1-6	UL9090001	1	SEPARATION PAD SPRING	



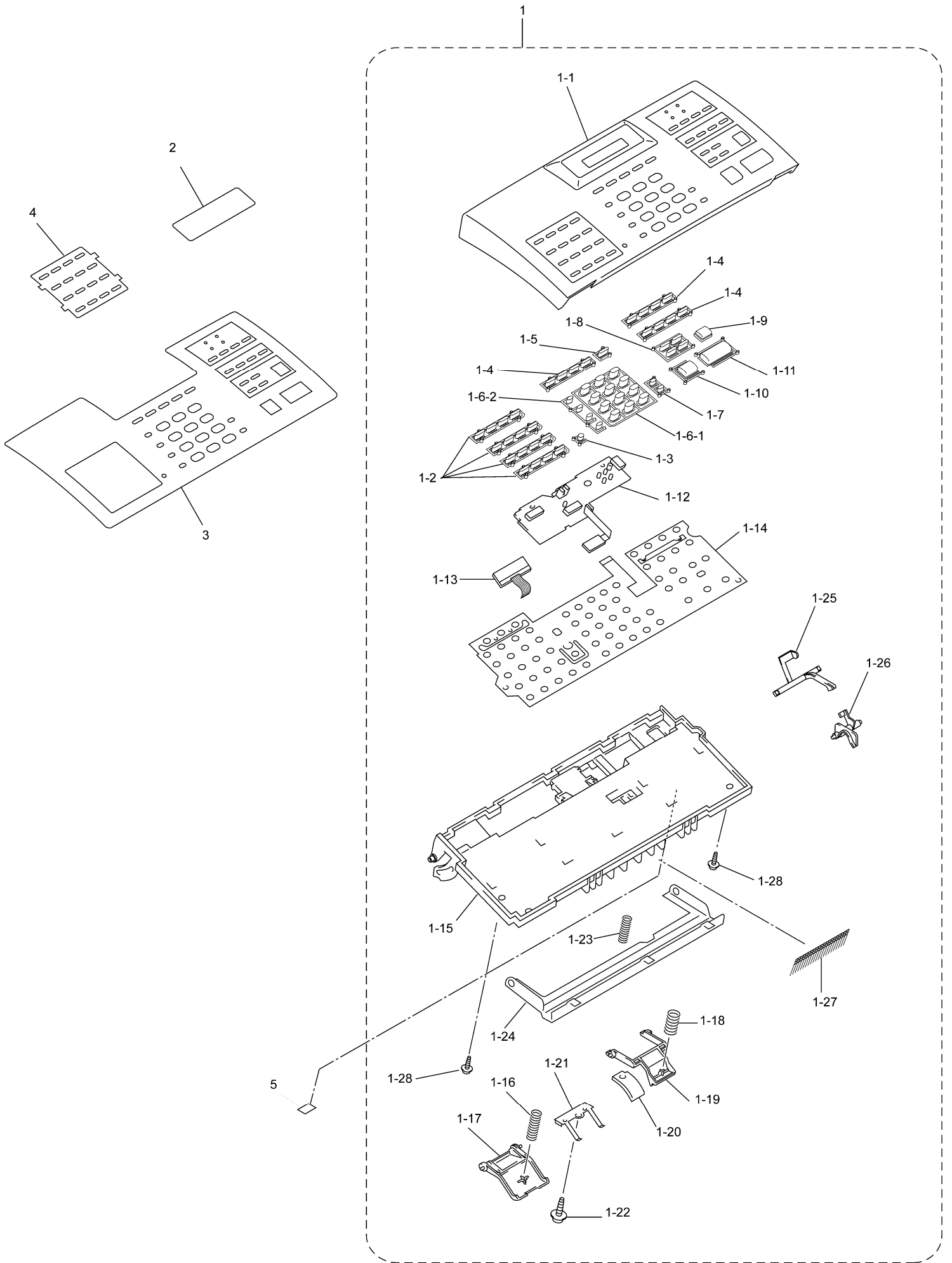
List6(HEAT FIXING UNIT)

REF.No.	CODE	Q'TY	DESCRIPTION	REMARKS
1	LJ7760001	1	HEAT FIXING UNIT, 230V (SP)	
1-1	UL8902001	1	THERMISTOR ASSY	
1-2	087311215	1	TAPTITE, CUP B M3X12	
1-3	LJ4169001	1	HEAT ROLLER (SP)	
1-4	LJ4163001	1	FUSER LAMP, 230V (SP)	
1-5	LJ4853001	1	PRESSURE ROLLER (SP)	
1-6	UL8908001	2	HR BEARING 25	
1-7	UL8929001	8	EJECT PINCH ROLLER	
1-8	LJ4431001	8	PINCH SPRING	
1-9	LJ4407001	2	CLEANER ROLLER ASSY	
1-10	LJ4409001	2	CLEANER SPRING	
1-11	087312015	2	TAPTITE, CUP B M3X20	
1-12	Z07200001	1	TAPTITE, PAN B M3X10	
1-13	LJ4845001	4	PICK OFF FINGER (SP)	
1-14	UL8920001	1	PAPER EJECT ACTUATOR	
1-15	UL8921001	1	EJECT ACTUATOR SPRING	
1-16	UL8914001	2	IDLE GEAR 13	
1-17	LJ5871001	1	IDLE GEAR HOLDER	
1-18	UL8923001	1	FU DRIVER GEAR	
1-19	LJ7256001	1	EJECT ROLLER SHAFT L	added
1-20	LJ7257001	1	EJECT ROLLER ASSY R	added
1-21	LJ7259001	1	EJECT ROLLER BEARING L	added
1-22	LJ7260001	1	EJECT ROLLER BEARING R	added
1-23	LJ7261001	1	FU FRAME LOWER 2	added
1-24	LJ7262001	1	EJECT ROLLER JAM REMOVE TOOL	added
1-25	UL8910001	1	HR GEAR 34	ADDED
2	087320815	1	TAPTITE, CUP S M3X8	
3	LJ4740001	2	SHOULDER SCREW	



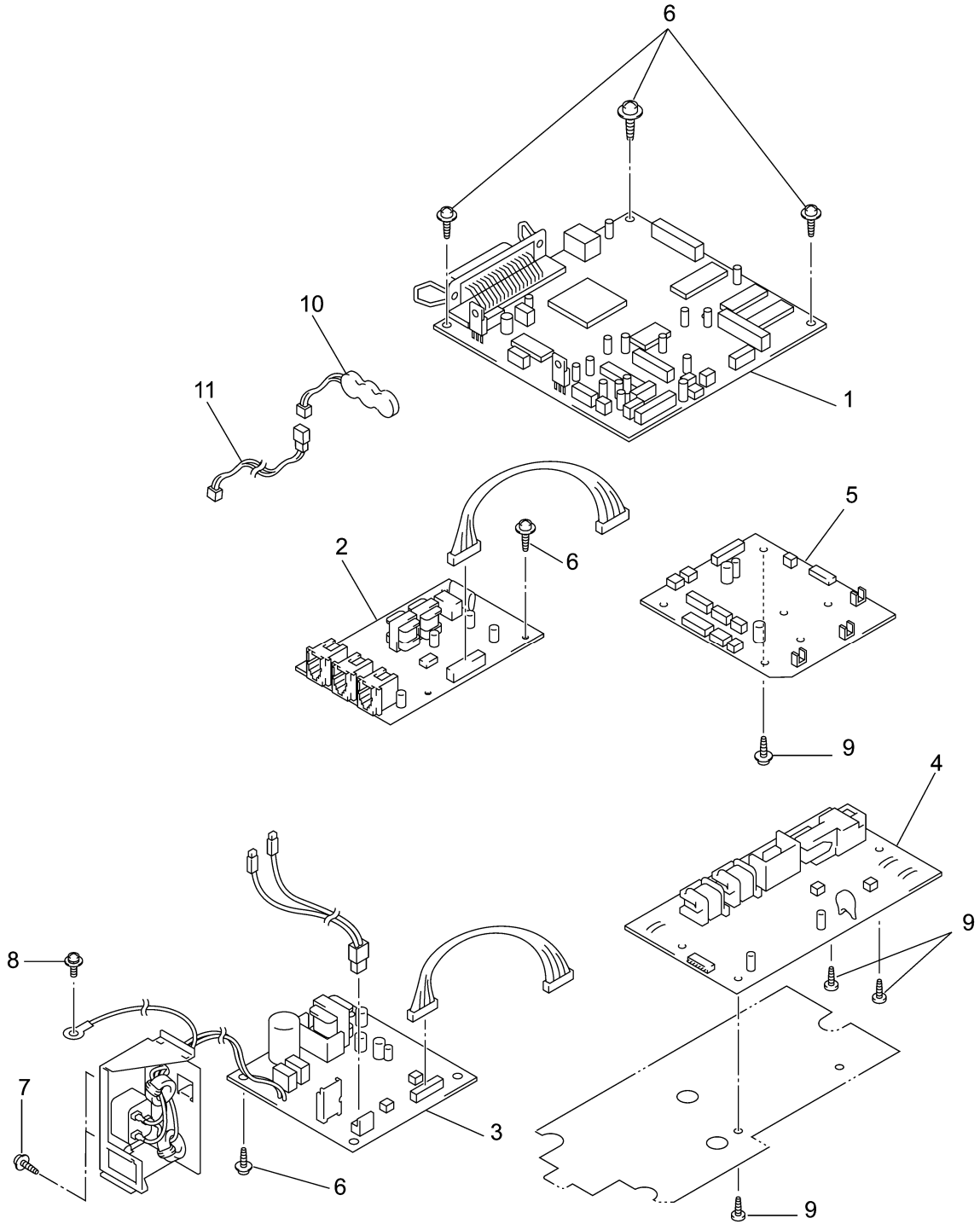
List7(COVER)

REF.NO.	CODE	Q'TY	DESCRIPTION	REMARKS
1	LJ5753001	1	MAIN COVER ASSY, GRAY(1495)	
2	UL9122001	4	PINCH ROLLER ASSY	
3	UL9125001	4	PINCH ROLLER SPRING	
4	LJ5763001	1	OUTER CHUTE, GRAY(1495)	
5	UL9127001	1	CHUTE SPRING L	
6	UL9128001	1	CHUTE SPRING R	
7	UU2102001	1	FRONT COVER ASSY,	
7-1	UU2094001	1	FRONT SUB COVER, GRAY(1495)	
7-2	087310815	1	TAPTITE, CUP B M3X8	
8	UL9140001	1	PAPER SUB TRAY, GRAY(1495)	
9	----		NOT USED	
10	----		NOT USED	
11	----		NOT USED	
12	UU2045001	1	SWITCH COVER, GRAY(1495)	
13	UU2002001	1	REAR COVER, GRAY(1495)	
14	0A5401006	3	SCREW, PAN (S/P WASHER) M4X10	
15	UU2003001	1	TOP COVER, GRAY(1495)	
16	UL9142001	1	EXIT ROLLER ASSY	
17	LJ4125001	1	ANTI-STATIC BRUSH (LONG)	
18	LE1242001	1	ANTI-STATIC BRUSH (SHORT)	
19	UF6114008	1	DOCUMENT GUIDE, L, GRAY(1495)	
20	UF6115008	1	DOCUMENT GUIDE, R, GRAY(1495)	
21	UF4417000	1	GUIDE GEAR	
22	UF4418001	1	SPRING, COMPRESSION	
23	UF5034001	1	TAPTITE, B 3X6	
24	LG2210001	1	SPEAKER UNIT	
25	----		NOT USED	
26	----		NOT USED	
27	LE1023001	1	SIDE COVER	
28	----		NOT USED	
29	----		NOT USED	
30	087311016	2	TAPTITE, CUP B M3X10	
31	----		NOT USED	
32	085320816	6	TAPTITE, BIND S M3X8	
33	087321015	2	TAPTITE, CUP S M3X10	
34	UF9823001	2	SHOULDER SCREW	
35	UF5745000	1	MJ COVER, EXT, FAX8350P/MFC9650/FAX8750P FOR GER/UK/FRA/BEL/NLD/DEN/AUS/ITA/SWE/GNR	
36	LE8190001	1	SUB BACK COVER, FAX8350P	



List8(CONTROL PANEL)

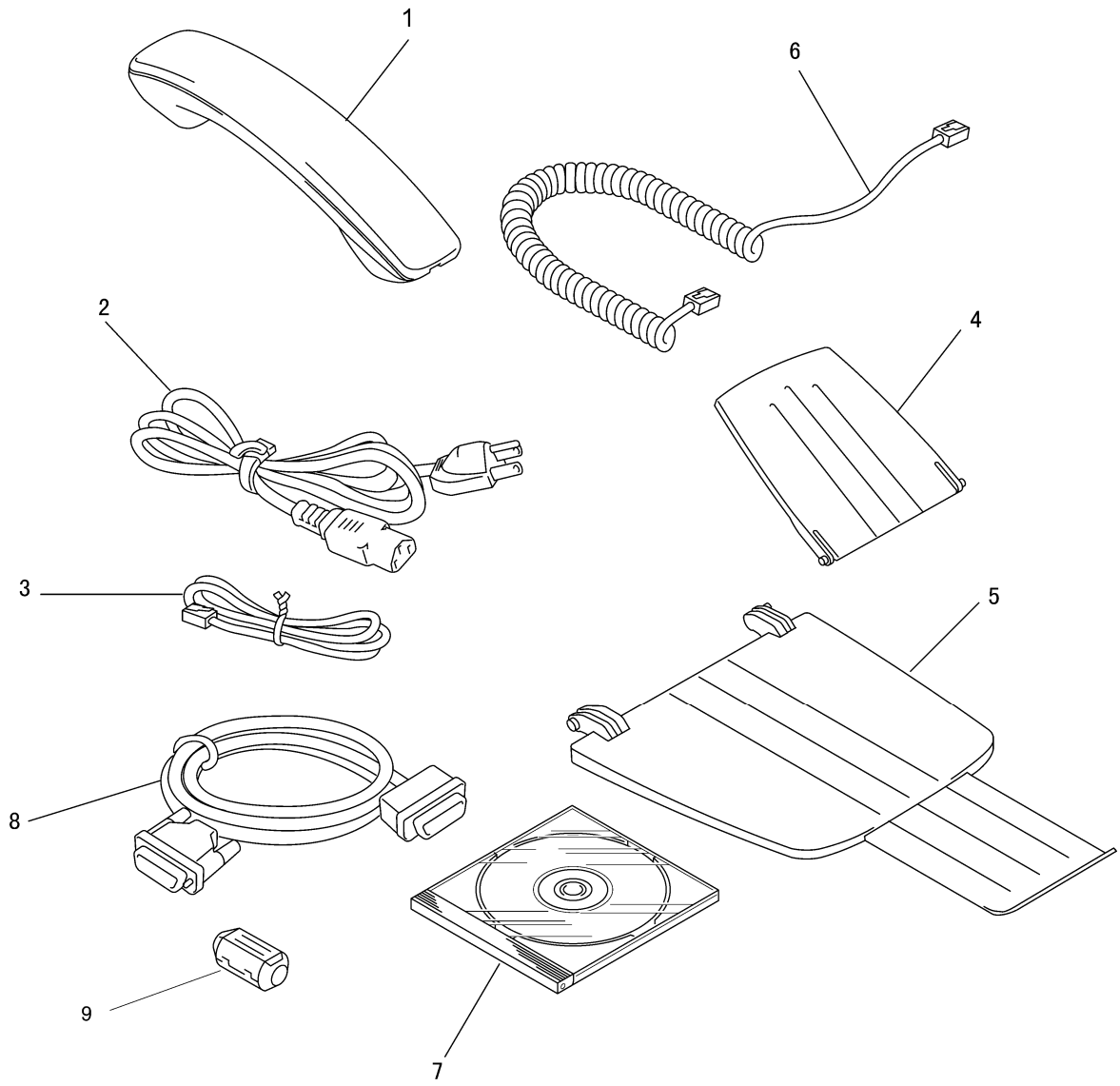
REF.NO.	CODE	Q'TY	DESCRIPTION	REMARKS
1	LE1250001	1	CONTROL PANEL ASSY, FAX8350P (SP)	
1	LE1158001	1	CONTROL PANEL ASSY, FAX8750P/MFC9650 (SP)	
1-1	UU2004001	1	CONTROL PANEL, GRAY(1495)	
1-2	UF8176008	4	KEY, ONE TOUCH, GRAY(1495)	
1-3	UF4576008	1	KEY, SHIFT, GRAY(1495)	
1-4	UF9118006	2	KEY, FUNCTION4, GRAY(1495)	
1-5	UF5581010	1	KEY, FUNCTION1, GRAY(1495)	
1-6	UF4393007	1	KEY, TEN, GRAY(1495)	
1-7	UU7099008	1	KEY, VOLUME, GRAY(1495)	
1-8	UU7100008	1	KEY, COPY AREA, GRAY(1495)	
1-9	UF8174008	1	KEY, COPY, GRAY(1495)	
1-10	UF8173004	1	KEY, STOP, PINK(2205)	
1-11	UF8172006	1	KEY, SEND, PURPLE(6255)	
1-12	LG2212001	1	CONTROL PANEL PCB ASSY	
1-13	UG4552000	1	LCD	
1-14	LE1155001	1	FPC KEY (SP)	
1-15	UU2005001	1	PANEL REAR COVER	
1-16	UU2051001	1	DOCUMENT NIP SPRING	
1-17	UU2052001	1	DOCUMENT NIP PIECE	
1-18	UU2053001	1	ADF SPRING	
1-19	UU2054001	1	SPRING PLATE B	
1-20	UU2055001	1	SEPARATION RUBBER	
1-21	UU2056001	1	SPRING PLATE A	
1-22	UF5034001	1	TAPTITE, B 3X6	
1-23	UU2057001	1	DOCUMENT PRESSURE SPRING	
1-24	LE6342001	1	DOCUMENT PRESSURE BAR ASSY	
1-25	UU2061001	1	DOCUMENT FRONT SENSOR ACTUATOR	
1-26	UU2062001	1	DOCUMENT REAR SENSOR ACTUATOR	
1-27	LE1071001	1	ANTI-STATIC BRUSH	
1-28	087310815	2	TAPTITE, CUP B M3X8	
2	UU2063001	1	LCD SHEET	
3	LE1029001	1	PANEL SHEET, FAX8350P FOR GER/AUS	
3	LE1033001	1	PANEL SHEET, FAX8350P FOR UK/CHE/IRE	
3	LE1036001	1	PANEL SHEET, FAX8350P FOR FRA	
3	LE1099001	1	PANEL SHEET, FAX8350P FOR NOR	
3	LE1144001	1	PANEL SHEET, FAX8350P FOR BEL	
3	LE1102001	1	PANEL SHEET, FAX8350P FOR HOL	
3	LE1106001	1	PANEL SHEET, FAX8350P FOR DEN	
3	LE1731001	1	PANEL SHEET, FAX8350P FOR SPA	
3	LE1110001	1	PANEL SHEET, FAX8350P FOR SWE	
3	LE1046001	1	PANEL SHEET, MFC9650 FOR GER	
3	LE1053001	1	PANEL SHEET, MFC9650 FOR UK/CHE/GNR	
3	LE1114001	1	PANEL SHEET, MFC9650 FOR NOR	
3	LE1117001	1	PANEL SHEET, MFC9650 FOR BEL	
3	LE1120001	1	PANEL SHEET, MFC9650 FOR NLD	
3	LE1124001	1	PANEL SHEET, MFC9650 FOR DEN	
3	LE1127001	1	PANEL SHEET, MFC9650 FOR SPA	
3	LE1130001	1	PANEL SHEET, MFC9650 FOR ITA	
3	LE1133001	1	PANEL SHEET, MFC9650 FOR SWE	
3	LE1347001	1	PANEL SHEET, FAX8750P FOR GER	
3	LE1353001	1	PANEL SHEET, FAX8750P FOR UK/CHE	
3	LE1354001	1	PANEL SHEET, FAX8750P FOR FRA	
3	LE1356001	1	PANEL SHEET, FAX8750P FOR NOR	
3	LE1357001	1	PANEL SHEET, FAX8750P FOR BEL	
3	LE1359001	1	PANEL SHEET, FAX8750P FOR NLD	
3	LE1361001	1	PANEL SHEET, FAX8750P FOR ITA	
3	LE1363001	1	PANEL SHEET, FAX8750P FOR SWE	
3	LE1713001	1	PANEL SHEET, FAX8750P FOR SPA	
3	LE1722001	1	PANEL SHEET, FAX8750P FOR DEN	
4	UU2067001	1	ADDRESS LABEL	
5	LE1706001	2	HOLE SHIELD FILM	
(6)	LE1707001	1	ANTI-STATIC SUB BRUSH	



List9(PCB ASSY)

To replace part marked with an asterisk(*), you need to confirm if the PAPER CHUTE part is early type or later type. Please refer T/I No.FAX99448 for details.

REF.NO.	CODE	Q'TY	DESCRIPTION	REMARKS
1	LG2082001	1	MAIN PCB ASSY, FAX8350P	
1	LG2252001	1	MAIN PCB ASSY, MFC9650	
1	LG2422001	1	MAIN PCB ASSY, FAX8750P	
2	LE1264001	1	NCU PCB ASSY, FAX8350P/MFC9650 (SP)	
2	LE1264051	1	NCU PCB ASSY, FAX8750P (SP)	
3	LG4016001	1	LOW VOLTAGE POWER SUPPLY PCB, 230V	
*4	LJ4176001	1	HIGH VOLTAGE POWER SUPPLY PCB ASSY (FOR EARLY LOT) (SP)	
*4	LJ8156001	1	HIGH VOLTAGE POWER SUPPLY PCB ASSY (FOR LATER LOT) (SP)	
*5	LE1163001	1	ENGINE PCB ASSY (FOR EARLY LOT) (SP)	
*5	LG2404001	1	ENGINE PCB ASSY (FOR LATER LOT) (SP)	
6	087320616	5	TAPTITE, CUP S M3X6	
7	084320815	1	SCREW, FLAT S M3X8	
8	0A5350606	1	SCREW, PAN (WASHER) M3.5X6	
9	085411215	4	SCREW, BIND B TITE M4X12	



List10(Accessories)

REF.NO.	CODE	Q'TY	DESCRIPTION	REMARKS
1	----		NOT USED	
2	LG2358001	1	AC CORD BAG ASSY, FAX8350P/MFC9650/FAX8750P FOR GER/FRA/NOR/BEL/NLD/AUS/SPA/ITA/SWE/GNR	
2	LG2359001	1	AC CORD BAG ASSY, FAX8350P/MFC9650/FAX8750P FOR UK/IRE	
2	LG2360001	1	AC CORD BAG ASSY, FAX8350P/MFC9650/FAX8750P FOR CHE	
2	LG2361001	1	AC CORD BAG ASSY, FAX8350P/MFC9650 FOR DEN	
3	UG3625001	1	TELEPHONE LINE CORD, FAX8350P/MFC9650/FAX8750P FOR GER	
3	UG3626001	1	TELEPHONE LINE CORD, FAX8350P/MFC9650/FAX8750P FOR UK	
3	UG3627001	1	TELEPHONE LINE CORD, FAX8350P/FAX8750P FOR FRA	
3	UG3629001	1	TELEPHONE LINE CORD, FAX8350P/MFC9650/FAX8750P FOR NOR	
3	UG1575001	1	TELEPHONE LINE CORD, FAX8350P/MFC9650/FAX8750P FOR BEL	
3	UG3631001	1	TELEPHONE LINE CORD, FAX8350P/MFC9650/FAX8750P FOR NLD	
3	UG3469000	1	TELEPHONE LINE CORD, FAX8350P/MFC9650/FAX8750P FOR CHE	
3	UG1570001	1	TELEPHONE LINE CORD, FAX8350P/MFC9650/FAX8750 FOR IRE/SPA/GNR	
3	UG3633001	1	TELEPHONE LINE CORD, FAX8350P/MFC9650 FOR DEN	
3	UG4205001	1	TELEPHONE LINE CORD, FAX8350P FOR AUT	
3	UG3634001	1	TELEPHONE LINE CORD, MFC9650/FAX8750P FOR ITA	
3	UG3635001	1	TELEPHONE LINE CORD, FAX8350P/MFC9650/FAX8750P FOR SWE	
5	UU2069001	1	DOCUMENT SUPPORT	
4	UU2080001	1	DOCUMENT TRAY	
6	----		NOT USED	
7	LE1047001	1	CD-ROM ASSY, MFC9650	
7	LE1716001	1	CD-ROM ASSY, FAX8750P	
8	UG4558001	1	I/F CABLE, MFC9650 FOR GER/UK	
9	LE0019001	1	FERRITE CORE BAG ASSY, MFC9650 FOR NOR/BEL/NLD/CHE/DEN/SPA/ITA/SWE/GNR, FAX8750P	

List11(PRINTED MATERIAL)

REF.NO.	CODE	Q'TY	DESCRIPTION	REMARKS
(1)	LE1030001	1	OWNER'S MANUAL ASSY, FAX8350P FOR GER/AUS (INCLUDING OPERATIONS MANUAL(1-1) AND WARRANTY CARD)	
(1)	LE1034001	1	OWNER'S MANUAL ASSY, FAX8350P/8750P FOR UK (INCLUDING OPERATIONS MANUAL(1-1) AND 3WARRANTY CARDS)	
(1)	LE1037001	1	OWNER'S MANUAL ASSY, FAX8350P/8750P FOR FRA (INCLUDING OPERATIONS MANUAL(1-1) AND 2WARRANTY CARDS)	
(1)	LE1100001	1	OWNER'S MANUAL ASSY, FAX8350P/8750P FOR NOR (INCLUDING OPERATIONS MANUAL(1-1) AND 2WARRANTY CARDS)	
(1)	LE1145001	1	OWNER'S MANUAL ASSY, FAX8350P/8750P FOR BEL (INCLUDING 2 OPERATIONS MANUALS(1-1) AND WARRANTY CARD)	
(1)	LE1103001	1	OWNER'S MANUAL ASSY, FAX8350P/8750P FOR NLD (INCLUDING OPERATIONS MANUAL(1-1) AND WARRANTY CARD)	
(1)	LE1038001	1	OWNER'S MANUAL ASSY, FAX8350P/8750P FOR CHE (INCLUDING 2 OPERATIONS MANUALS(1-1) AND WARRANTY CARD)	
(1)	LE1104001	1	OWNER'S MANUAL ASSY, FAX8350P FOR IRE (INCLUDING OPERATIONS MANUAL(1-1) AND WARRANTY CARD)	
(1)	LE1107001	1	OWNER'S MANUAL ASSY, FAX8350P/8750P FOR DEN (INCLUDING OPERATIONS MANUAL(1-1) AND WARRANTY CARD)	
(1)	LE1111001	1	OWNER'S MANUAL ASSY, FAX8350P FOR SWE, FAX8750P FOR GNR (INCLUDING OPERATIONS MANUAL(1-1) AND 2WARRANTY CARDS)	
(1)	LE1351001	1	OWNER'S MANUAL ASSY, FAX8750P FOR GNR (INCLUDING OPERATIONS MANUAL(1-1) AND WARRANTY CARD)	
(1)	LE1362001	1	OWNER'S MANUAL ASSY, FAX8750P FOR ITA (INCLUDING OPERATIONS MANUAL(1-1) AND WARRANTY CARD) (INCLUDING OPERATIONS MANUAL(1-1) AND 2WARRANTY CARDS)	
(1)	LE1714001	1	OWNER'S MANUAL ASSY, FAX8350P/8750P FOR SPA (INCLUDING OPERATIONS MANUAL(1-1) AND 2WARRANTY CARDS)	
(1)	LE1050001	1	OWNER'S MANUAL ASSY, MFC9650 FOR GER (INCLUDING OPERATIONS MANUAL(1-1), WARRANTY CARD AND MFL MANUAL(1-2))	
(1)	LE1054001	1	OWNER'S MANUAL ASSY, MFC9650 FOR UK (INCLUDING OPERATIONS MANUAL(1-1), 3 WARRANTY CARDS AND MFL MANUAL(1-2))	
(1)	LE1115001	1	OWNER'S MANUAL ASSY, MFC9650 FOR NOR (INCLUDING OPERATIONS MANUAL(1-1), 2 WARRANTY CARDS AND MFL MANUAL(1-2))	
(1)	LE1118001	1	OWNER'S MANUAL ASSY, MFC9650 FOR BEL (INCLUDING 2 OPERATIONS MANUALS(1-1), WARRANTY CARDS AND MFL MANUAL(1-2))	
(1)	LE1121001	1	OWNER'S MANUAL ASSY, MFC9650 FOR NLD (INCLUDING OPERATIONS MANUAL(1-1), WARRANTY CARD AND MFL MANUAL(1-2))	
(1)	LE1055001	1	OWNER'S MANUAL ASSY, MFC9650 FOR CHE (INCLUDING 2 OPERATIONS MANUALS(1-1), WARRANTY CARD AND MFL MANUAL(1-2))	
(1)	LE1125001	1	OWNER'S MANUAL ASSY, MFC9650 FOR DEN (INCLUDING OPERATIONS MANUAL(1-1) WARRANTY CARD AND MFL MANUAL(1-2))	
(1)	LE1128001	1	OWNER'S MANUAL ASSY, MFC9650 FOR SPA (INCLUDING OPERATIONS MANUAL(1-1) 2WARRANTY CARDS AND MFL MANUAL(1-2))	
(1)	LE1131001	1	OWNER'S MANUAL ASSY, MFC9650 FOR ITA (INCLUDING OPERATIONS MANUAL(1-1), WARRANTY CARD AND MFL MANUAL(1-2))	
(1)	LE1134001	1	OWNER'S MANUAL ASSY, MFC9650 FOR SWE (INCLUDING OPERATIONS MANUAL(1-1), 2WARRANTY CARDS AND MFL MANUAL(1-2))	
(1)	LE1135001	1	OWNER'S MANUAL ASSY, MFC9650 FOR GNR (INCLUDING OPERATIONS MANUAL(1-1) AND MFL MANUAL)	
(1-1)	LE1031003	1	OPERATIONS MANUAL, FAX8350P FOR GER/AUS	
(1-1)	LE1031004	1	OPERATIONS MANUAL, FAX8350P/8750P/MFC9650 FOR UK/IRE/GNR	
(1-1)	LE1031005	1	OPERATIONS MANUAL, FAX8350P/8750P FOR FRA	
(1-1)	LE1031007	1	OPERATIONS MANUAL, FAX8350P/8750P/MFC9650 FOR NOR	

List11(PRINTED MATERIAL)

REF.NO.	CODE	Q'TY	DESCRIPTION	REMARKS
(1-1)	LE1031008	1	OPERATIONS MANUAL, FAX8350P/8750P/MFC9650 FOR BEL	
(1-1)	LE1039008	1	OPERATIONS MANUAL, FAX8350P/8750P FOR BEL/CHE	
(1-1)	LE1031009	1	OPERATIONS MANUAL, FAX8350P/8750P/MFC9650 FOR NLD	
(1-1)	LE1031010	1	OPERATIONS MANUAL, FAX8350P/8750P/MFC9650 FOR CHE	
(1-1)	LE1031013	1	OPERATIONS MANUAL, FAX8350P/MFC9650 FOR DEN	
(1-1)	LE1031026	1	OPERATIONS MANUAL, FAX8350P/8750P/MFC9650 FOR SWE	
(1-1)	LE1352001	1	OPERATIONS MANUAL, FAX8750P FOR GER	
(1-1)	LE1031016	1	OPERATIONS MANUAL, FAX8750P/MFC9650 FOR ITA	
(1-1)	LE1416003	1	OPERATIONS MANUAL, MFC9650 FOR GER	
(1-1)	LE1031015	1	OPERATIONS MANUAL, FAX8350P/8750P/MFC9650 FOR SPA	
(1-2)	LE1051003	1	MFL MANUAL, MFC9650 FOR GER/UK/BEL/NLD/CHE/GNR	
(1-2)	LE1051007	1	MFL MANUAL, MFC9650 FOR NOR/DEN/SPA/ITA/SWE	

List12(CARTON)

REF.NO.	CODE	QTY	DESCRIPTION	REMARKS
(1)	LE1026001	1	CARTON, FAX8350P	
(1)	LE1042001	1	CARTON, MFC9650	
(1)	LE1343001	1	CARTON, FAX8750P	
(2)	LE1292001	1	STYROFOAM ASSY	
(3)	UE1688001	1	POLY-ETHYLENE BAG FOR MACHINE, 1000X1000 EXCEPT FOR FRA	
(3)	UE1688002	1	POLY-ETHYLENE BAG FOR MACHINE, 1000X1000 FOR FRA	
(4)	UE3122001	1	CARTON FOR MANUAL	
(5)	UU0456001	1	PROTECTION PAPER	
(6)	LJ4546001	1	BAG FOR DRUM/TONER, 400X480	

brother®